

UPRIGHT TANK

MULTI-FUNCTIONAL LARGE STORAGE TANK

VT-N 800 FFM, FRM, FRMR

VT-N 1000 FFM, FRM, FRMR

VT-S 800 FFM, FRM, FRMR

VT-S 1000 FFM, FRM, FRMR



AE
Austria Email

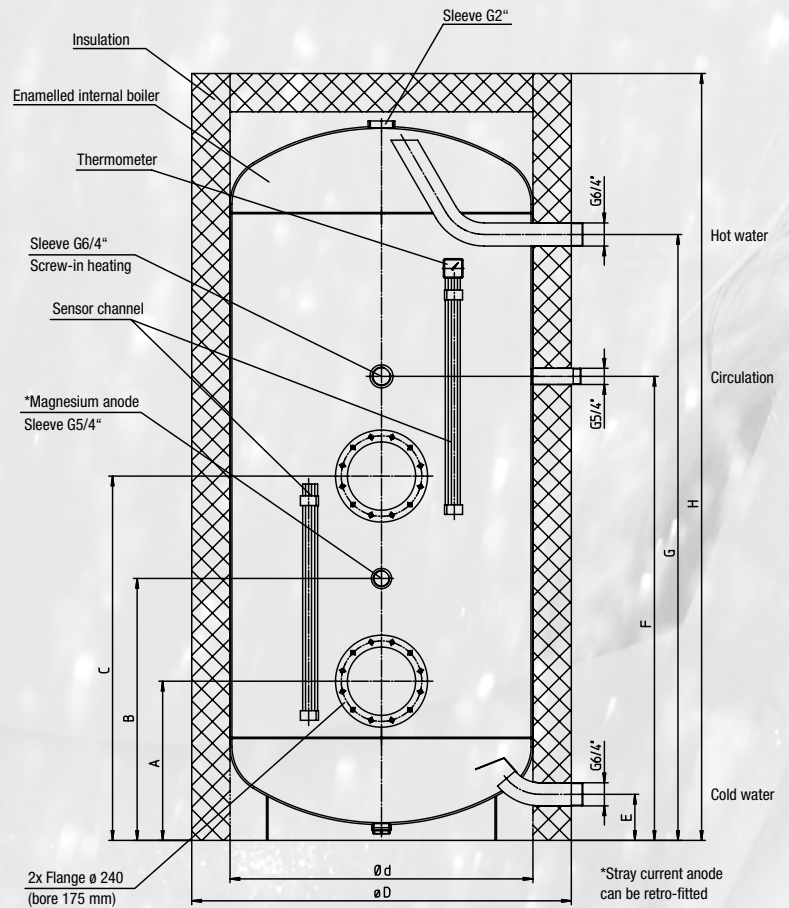
MULTI-FUNCTIONAL LARGE STORAGE TANK WITH FLANGE TYPES FFM 800 AND 1000 LITRES, ECO SKIN-INSULATION

EQUIPMENT

- A flange sealed by a dummy flange plate, second flange unsealed
- Inner steel chamber enamelled according to DIN 4753 with built-in magnesium rod anode or impressed current anode (VT-S), two flanges (\varnothing 240 mm) mounted above each other for built-in electric heater series R or built-in finned tube heat exchanger (RWT), 1½" sleeve for screw-in heater (SH), two sensor profiles for two installation options for capillary tube thermometer charge pump controllers ATR/ATH
- 100 mm ECO SKIN-insulation
- Boiler diameter: 790 mm
- Circulation connection 1¼" male thread
- Drainage via cold water pipe
- Cold and hot water connection 1½" male thread
- ATH thermometer included
- Sleeve for screw-in heater, 1½"
- 2 sensor profiles (variable sensor positioning possible depending on the system)

ACCESSORIES

- ATH/ATR, impressed current anode (maintenance-free!) and reduction screws for impressed current anode for types VT-N, screw-in heater SH, reduction flange from \varnothing 240 mm to \varnothing 180 mm, flange immersion heater type RDW/RSW, finned tube heat exchanger RWT.



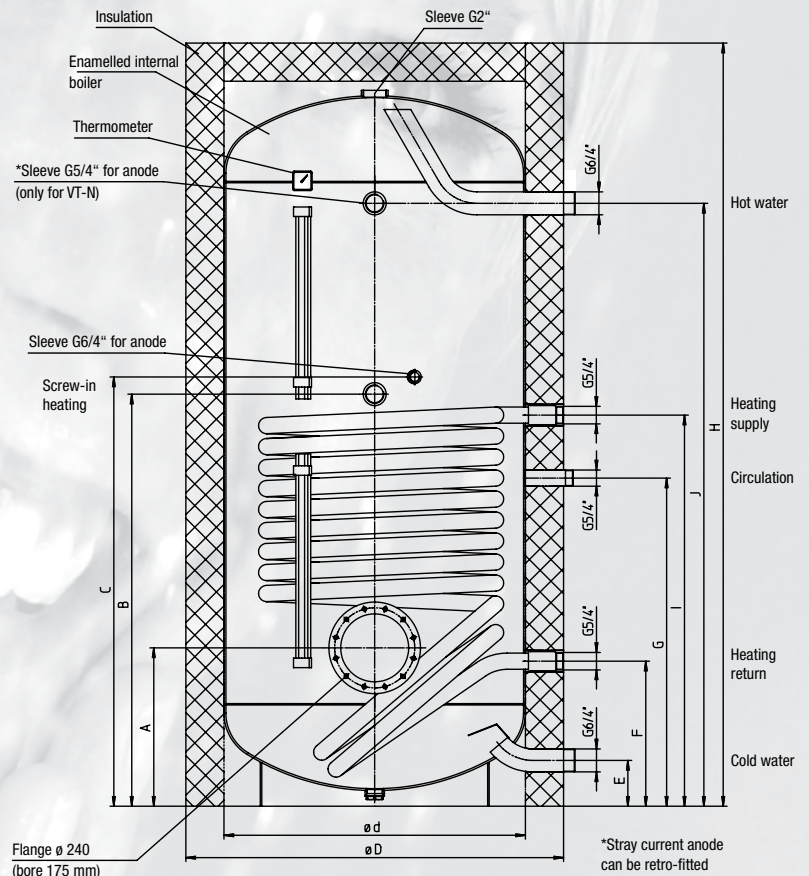
Model	Capacity litres	Dimensions in mm									Installation depth of flange mm	Diagonal height	Weight	Operating pressure	Standby energy consumption*
		H	$\varnothing D$	$\varnothing d$	A	B	C	E	F	G					
VT-N 800 FFM	800	2000	1000	790	415	683	950	120	1210	1580	850	1960	210	6	4,1
VT-S 800 FFM	800	2000	1000	790	415	683	950	120	1210	1580	850	1960	237	10	4,1
VT-N 1000 FFM	1000	2350	1000	790	415	768	1120	120	1395	1920	850	2300	259	6	4,5
VT-S 1000 FFM	1000	2350	1000	790	415	768	1120	120	1395	1920	850	2300	295	10	4,5

* with ECO SKIN-insulation

MULTI-FUNCTIONAL LARGE STORAGE TANK WITH PIPE ARRAY TYPES FRM 800 AND 1000 LITRES, ECO SKIN-INSULATION

EQUIPMENT

- Internal steel boiler enamelled according to DIN 4753 with built-in magnesium rod anode (VT-N) or impressed current anode (VT-S)
- 100 mm ECO SKIN-insulation
- Operating pressure: max. 10 bar (VT-S) or 6 bar (VT-N) for containers, max. 10 bar for heat exchanger
- These upright heat exchanger tanks have a large-surface pipe array pulled into the base for heating, solar, heat pump or district heating connection
- The lower pipe register, which is pulled into the base, raises efficiency and guarantees optimum heating of the base, destroying any bacteria (legionella) possibly introduced along with the cold water
- Profiles are attached along the boiler jacket to mount sensors for control (variable sensor positioning depending on system)
- To facilitate inspection and cleaning as well as to allow combination with a finned tube exchanger or a flange immersion heater, this multifunctional upright heat exchanger tank is equipped with a $\varnothing 240$ mm side flange
- ATH thermometer included
- Furthermore, a screw-in heater can be installed in the 1½" sleeve for additional or backup heating
- Drainage via cold water pipe
- Cold and hot water connection 1½" male thread
- Circulation connection 1¼" male thread



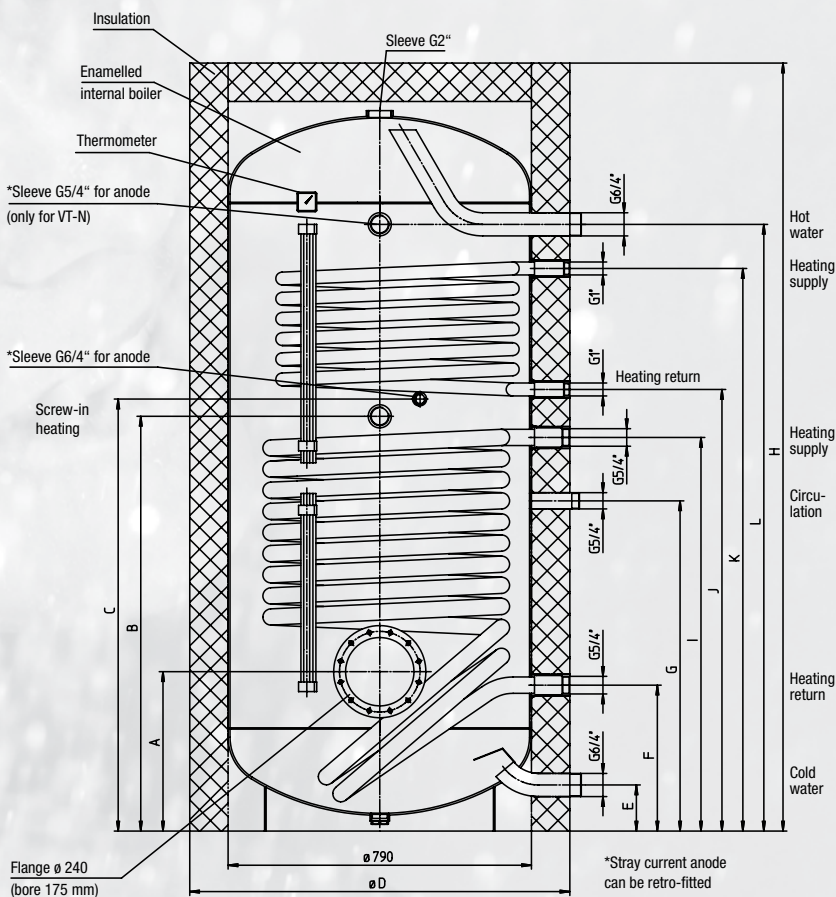
Model	Capacity litres	Dimensions in mm											Pipe array			N _L -Number to DIN 4708	Dia-gonal height	Weight	Stand-by energy consumption*
		H	øD	ød	A	B	C	E	F	G	I	J	Heating surface	Capa-cities	Pipe dimensions				
VT-N 800 FRM	800	2000	1000	790	415	1080	1125	120	380	860	1025	1580	2,00	13,1	33,7	21	1960	239	3,8
VT-S 800 FRM	800	2000	1000	790	415	1080	1125	120	380	860	1025	1580	2,76	22,5	42,4	24	1960	279	3,8
VT-N 1000 FRM	990	2350	1000	790	415	1255	1300	120	380	1025	1190	1920	2,40	15,7	33,7	26	2300	270	4,2
VT-S 1000 FRM	975	2350	1000	790	415	1255	1300	120	380	1025	1190	1920	3,51	28,6	42,4	33	2300	344	4,2

* with ECO SKIN-insulation

MULTI-FUNCTIONAL LARGE STORAGE TANK WITH PIPE ARRAY TYPES FRMR 800 AND 1000 LITRES, ECO SKIN-INSULATION

EQUIPMENT

- Internal steel boiler enamelled according to DIN 4753 with built-in magnesium rod anode (VT-N) or impressed current anode (VT-S)
- 100 mm ECO SKIN-insulation
- Operating pressure: max. 10 bar (VT-S) or 6 bar (VT-N) for containers, max. 10 bar for heat exchanger
- These upright heat exchanger tanks have a large-surface pipe array for bivalent or trivalent operation for heating, solar, heat pump or district heating connection
- The two pipe arrays are welded directly into the boiler and are enamelled
- The lower pipe register, which is pulled into the base, raises efficiency and guarantees optimum heating of the base, destroying any bacteria (legionella) possibly introduced along with the cold water
- Profiles are attached along the boiler jacket to mount sensors for control (variable sensor positioning depending on system)
- To facilitate inspection and cleaning as well as to allow combination with a finned tube heat exchanger, this multipurpose upright heat exchanger tank is equipped with a \varnothing 240 mm side flange
- ATH thermometer included
- Furthermore, a screw-in heater can be installed in the 1½" sleeve for additional or backup heating
- Drainage via cold water pipe
- Cold and hot water connection 1½" male thread
- Circulation connection 1¼" male thread



Model	Capacity litres	Dimensions in mm											Heat exchanger lower			Heat exchanger upper			N _L -Number to DIN 4708	Diagonal height	Weight	Standby energy consumption*		
		H	max. \varnothing D	\varnothing d	A	B	C	E	F	G	I	J	K	L	Heating surface	Capacities	Tube dimensions	Heating surface					Capacities	Tube dimensions
VT-N 800 FRMR	800	2000	1000	790	415	1080	1125	120	380	860	1025	1150	1465	1580	2,00	13,1	\varnothing 33,7	1,2	7,8	\varnothing 33,7	9/21	1960	257	4,0
VT-S 800 FRMR	800	2000	1000	790	415	1080	1125	120	380	860	1025	1150	1465	1580	2,76	22,5	\varnothing 42,4	1,2	7,8	\varnothing 33,7	9/24	1960	295	4,0
VT-N 1000 FRMR	980	2350	1000	790	415	1255	1300	120	380	1025	1190	1335	1785	1920	2,40	15,7	\varnothing 33,7	1,2	7,8	\varnothing 33,7	11/26	2300	288	4,4
VT-S 1000 FRMR	950	2350	1000	790	415	1255	1300	120	380	1025	1190	1335	1785	1920	3,51	28,6	\varnothing 42,4	1,2	7,8	\varnothing 33,7	11/33	2300	345	4,4

* with ECO SKIN-insulation

Head office and factory: Austria Email AG
A-8720 Knittelfeld, Austriastrasse 6
Phone (03512) 700-0, Fax (03512) 700-239
Internet: www.austria-email.at
E-mail: office@austria-email.at

Customer Service: Phone (03512) 700-297
E-mail: kundendienst@austria-email.at

Sales offices:

Vienna, Lower Austria, Burgenland
A-1230 Wien, Zetschegasse 17
Phone (01) 6150727, Fax (01) 6150727-260
E-mail: bhrastnik@austria-email.at

Styria, Carinthia, East Tyrol
A-8053 Graz, Am Wagrain 62
Phone (0316) 271869, Fax (0316) 273126
E-mail: gbretterkleeber@austria-email.at

Upper Austria, Salzburg
A-4600 Wels, Gärtnerstrasse 17
Phone (07242) 45071, Fax (07242) 43650
E-mail: akweton@austria-email.at

Tyrol, Vorarlberg
A-6020 Innsbruck, Etrichgasse 24
Phone (0512) 347951, Fax (0512) 393353
E-mail: hruepp@austria-email.at

Sales offices Germany:

Germany North/East
D-14772 Brandenburg, Am Industriegelände 3
Phone 0049/(0)3381 / 766-0
Fax 0049/(0)3381 / 766-244
E-mail: sgobi@austria-email.at

Germany South
D-92637 Weiden/Opf., Parksteiner Strasse 49
Phone 0049/(0)961 / 63 490-0
Fax 0049/(0)961 / 63 490-30
E-mail: ahirmer@austria-email.at

AE
Austria Email